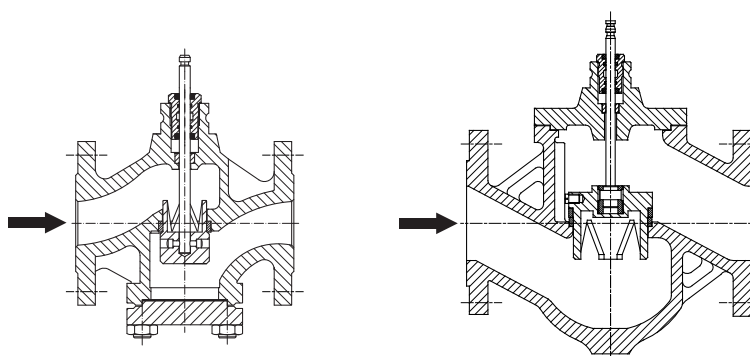
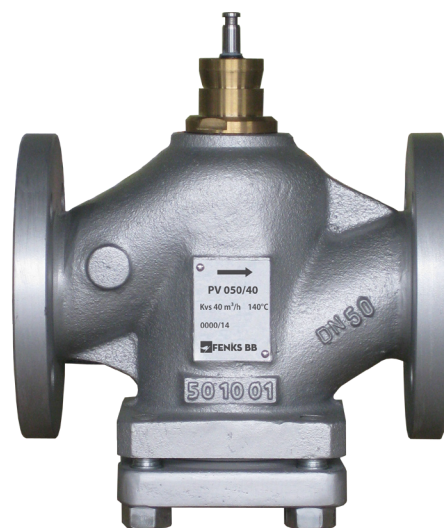


Description

Through flanged valve is primarily designed to control the flow of circulation water in district heating systems, as well as for remote closing of heating pipelines. Circulation medium should be cold, warm and hot water in temperature range from 5°C to 140°C.

Through flanged valve is applied in almost all heating, ventilation and air-conditioning systems and in industrial and technological processes. Valve curve is equal percentage. Regulation ratio (ratio between nominal and minimal flow coefficient) is 50:1. Selection of through flanged valve is according to diagram of K_{VS} values.

Valve is assembled for push-down-to-open cone action for nominal diameter up to DN 65 and reverse for bigger ones.



DN 15 – DN 65

DN 80 – DN 150

Types

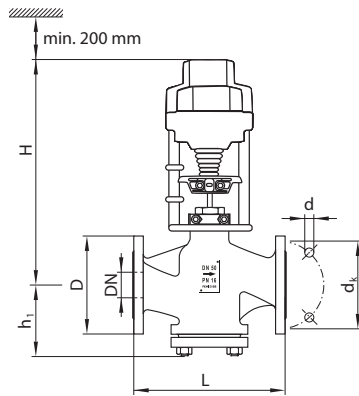
DN (mm)	K_{VS} (m ³ /h)	Stroke (mm)	Type
15	1	10	PV-015/1
15	1,6	10	PV-015/1,6
15	2,5	10	PV-015/2,5
15	4	14	PV-015/4
25	6,3	20	PV-025/6,3
25	10	20	PV-025/10
32	16	20	PV-032/16
40	25	20	PV-040/25
50	40	40	PV-050/40
65	63	40	PV-065/63
80	100	40	PV-080/100
100	160	45	PV-100/160
125	250	65	PV-125/250
150	330	65	PV-150/330

Technical data

Nomina pressure:	PN 16
Medium:	circulation water
Medium temperature:	5 – 140 °C
Valve curve characteristic:	equal percentage
Type of connection:	flanges (EN 1092-2)
Housing material:	GG 25
Valve cone material:	
- up to DN 50	WN1.4021
- from DN65 to DN150	GG 25/WN1.4021
Stem material:	WN1.4057
Seat valve material:	WN1.4021
Sealing element material:	FPM (ISO1629)

Dimensions

DN	(mm)	15	25	32	40	50	65	80	100	125	150
D	(mm)	95	115	140	150	165	185	200	220	250	285
L	(mm)	130	160	180	200	230	290	310	350	400	480
z/d	(mm)	4/14			4/19			8/19			8/23
d _k	(mm)	65	85	100	110	125	145	160	180	210	240
h ₁	(mm)	68	85	105	115	125	132	105	127	145	180
H	(mm)	230	235	240	250	370	390	435	465	500	535
weight	(kg)	4,5	7,5	10,5	11	17,5	25	34	49	65	84

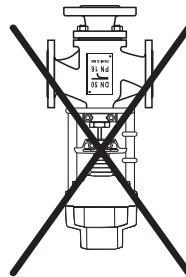
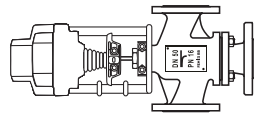
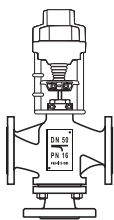


- DN Nominal diameter
- D Flange diameter
- L Distance between flanges
- z Number of bolt holes
- d Bolt hole diameter
- d_k Bolt circle diameter
- h₁ Height up to the flange axis

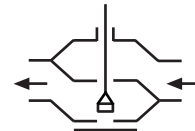
Installation

The valve can be installed in all positions, from horizontal to vertical, except in vertical position with the actuator pointing downwards.

The arrow on the valve body must match the direction of fluid flow through the valve. The valves are used with a closing procedure "against the pressure". A strainer should be installed upstream of the control valve.



Closing procedure "against the pressure"



Disposal



Prior to the assembly, maintenance and disassembly, the system must be depressurized, cooled down and emptied.

Only authorized, trained and qualified personnel may perform activities of assembly, start-up, operation and disassembly of the equipment.

Before disposal the valve must be dismantled into groups of structural components and delivered to authorized waste recycling organizations in order to preserve the environment. Local legislations must be obeyed when disposing of the components.

Feniks BB reserves the right to alter its products without notice.

All trademarks in this material are property of the respective companies. Feniks BB and Feniks BB logotype are trademarks of Feniks BB d.o.o.



Toponički put bb, 18202 Niš, Serbia
tel: (+381) 18 45-75-333, 45-75-556
fax: (+381) 18 45-75-557

www.feniksbb.com
info@feniksbb.com



Feniks BB has implemented and maintains quality and environment management systems in accordance with international standards ISO 9001:2008 and ISO 14001:2004.